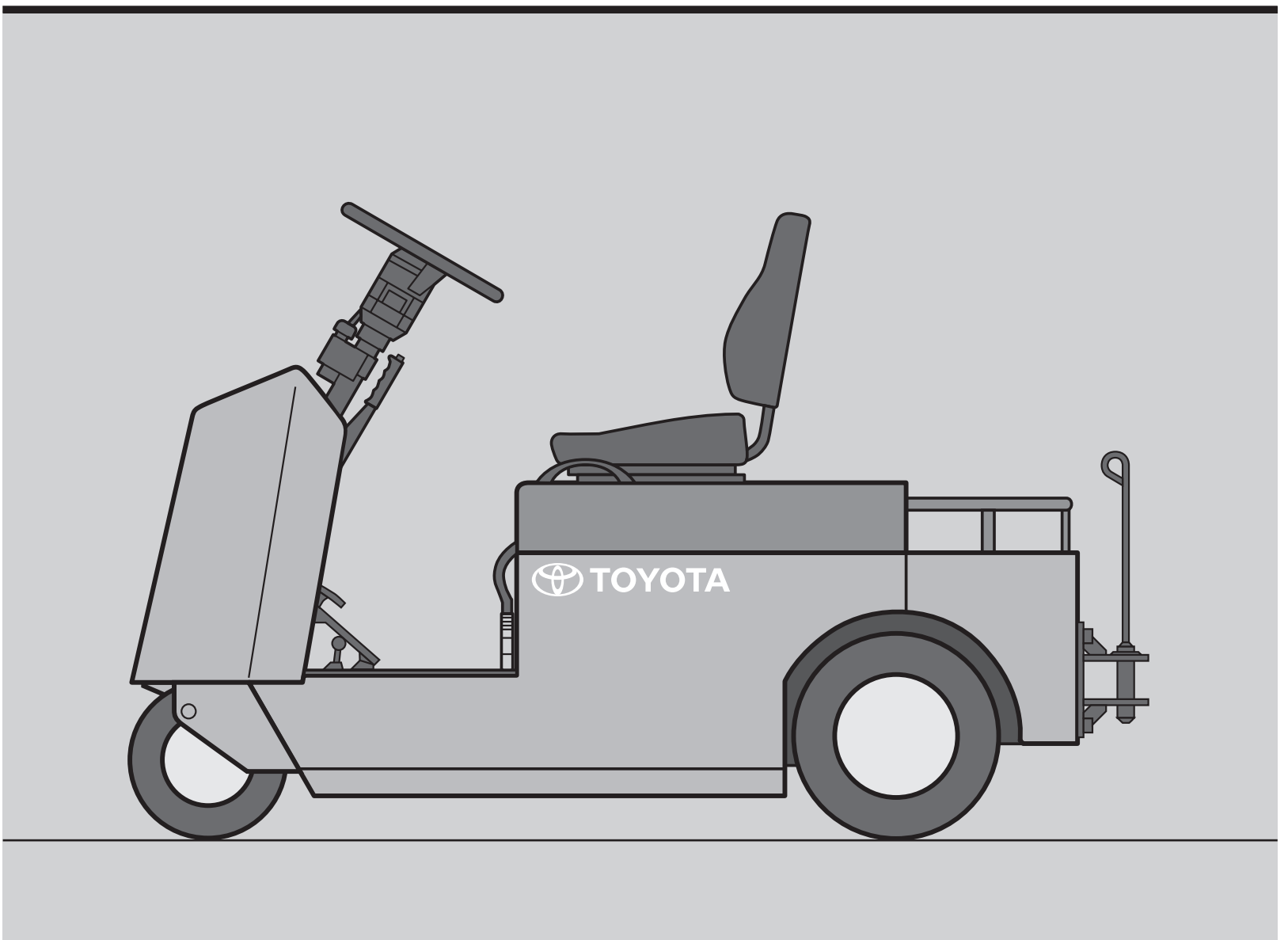


ELECTRIC POWERED TOWING TRACTOR CBT/CBTY Series



 **TOYOTA**

400 and 450 kg (3,920 to 4,410 N)

MAIN VEHICLE SPECIFICATIONS

Manufacturer			TOYOTA	TOYOTA	TOYOTA
Model			CBT4	CBT6	CBTY4
Power Type			Battery	Battery	Battery
Operator Position			Rider Seated	Rider Seated	Stand on
Tire Type	Front/Rear		Pneumatic	Pneumatic	Pneumatic
Wheels (x = driven)	Front/Rear		2/2x	2/2x	2/2x
Maximum Drawbar Pull	3-Minute Ratings	N (kg)	3920 (400)	4410 (450)	3920 (400)
Rated Drawbar Pull (Towing Capacity)	60-Minute Ratings	N (kg)	980 (100)	1470 (150)	980 (100)
Towed Weight	60-Minute Ratings	kg	4000	6000	4000
Travel Speeds	No Load	km/h	13.5	18	13.5
	w/ Load	km/h	9 w/2 ton	13 w/3 ton	9 w/2 ton
Gradeability *	No Load 3-Minute Ratings	% (tanθ)	36	32	36
Overall Length	w/ Hitch	mm	2020	2020	1755
	w/o Hitch	mm	1880	1880	1615
Front Overhang		mm	160	160	235
Rear Overhang		mm	360	360	240
Overall Width		mm	965	965	965
Overall Height		mm	1250	1250	1185
Turning Radius (Outside)		mm	1775	1775	1600
Hitch Length		mm	140	140	140
Height of Hitch		mm	305	305	305
Wheelbase		mm	1360	1360	1140
Tread	Front	mm	260	260	260
	Rear	mm	790	790	790
Underclearance	Center of Wheelbase		mm	80	75
Floor Height		mm	330	330	200
Total Weight	w/ Battery		kg	980	975
	Without Battery		kg	560	625
Weight Distribution (With STD Battery)	Front	kg	330	360	290
	Rear	kg	650	695	685
Tires	Number	Front/Rear		2/2	2/2
	Size	Front		3.50-5-6PR (I)	3.50-5-6PR (I)
		Rear		4.00-8-6PR (I)	4.00-8-6PR (I)
Brake	Service (Foot)			Hydraulic	Hydraulic
	Parking			Hand	Foot
Battery	Voltage/Capacity (5-Hour Ratings)	STD	V/AH	48/210	48/280
	Weight (STD Capacity Type)		kg	430	470
Electric Motor	Drive		kW	2.6	2.6
Control Type	Drive			Transistor chopper	Transistor chopper

NOTE: * Computed values.

TOWED WEIGHT

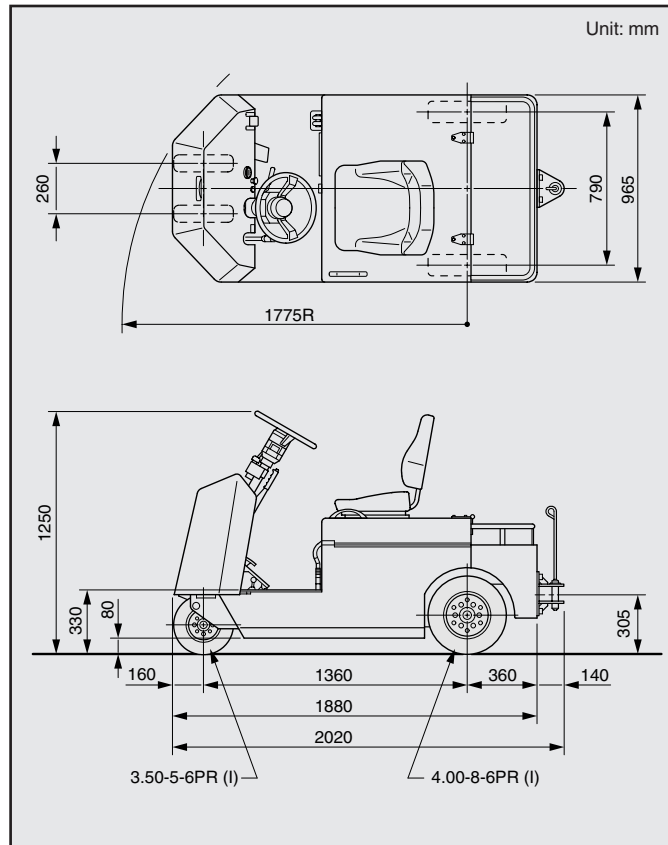
Unit: kg

Model	60-Minute Rating		
	CBT4	CBT6	CBTY4
Surface Condition (Dry Even Concrete)			
Level Road	4000	6000	4000
Grade (Degrees)	1°	1900	3000
	2°	1000	1800
	3°	500	1100
	4°	200	600

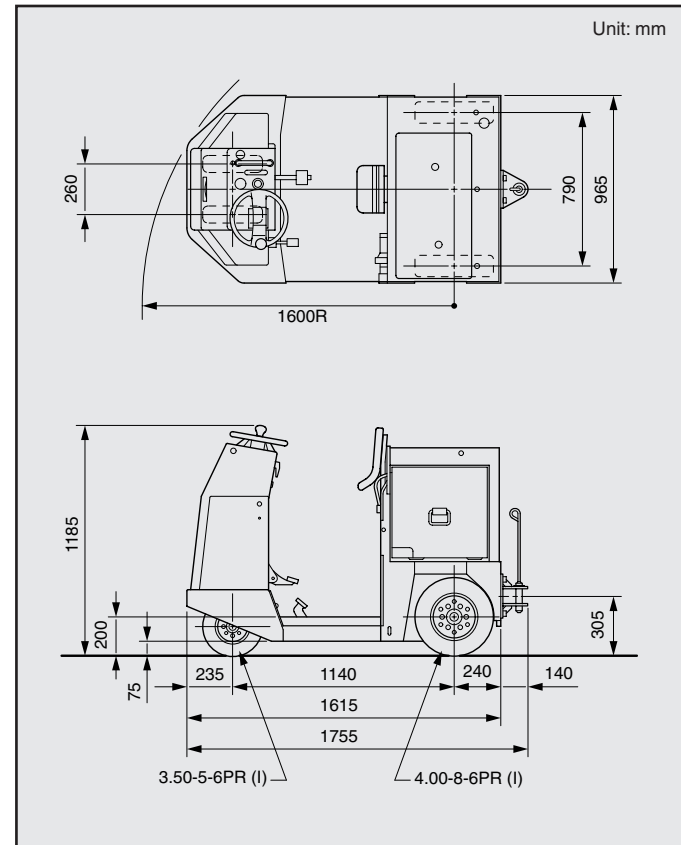
CBT4.6 CBTY4

DIMENSIONAL DRAWINGS

CBT4.6



CBTY4



STANDARD EQUIPMENT

CBT4.6

- Headlights
- Battery capacity indicator
- Hour meter
- Electric horn
- Buck-up buzzer wiring
- Non-slip sheet
- Seat
- Rear drawbar
- Battery hood damper
- Dual-action parking brake
- Pneumatic tire
- Truck bed

CBTY4

- Headlights
- Battery capacity indicator
- Hour meter
- Electric horn
- Buck-up buzzer wiring
- Non-slip sheet
- Rear drawbar
- Foot-operated parking brake
- Pneumatic tire

Availability and specifications are determined regionally and are subject to change without notice.
Please consult your Toyota representative for details.

This brochure is printed on recycled paper with soy ink.
All rights reserved by Toyota Industries Corporation.



TOYOTA Material Handling Company
A Division of TOYOTA INDUSTRIES CORPORATION